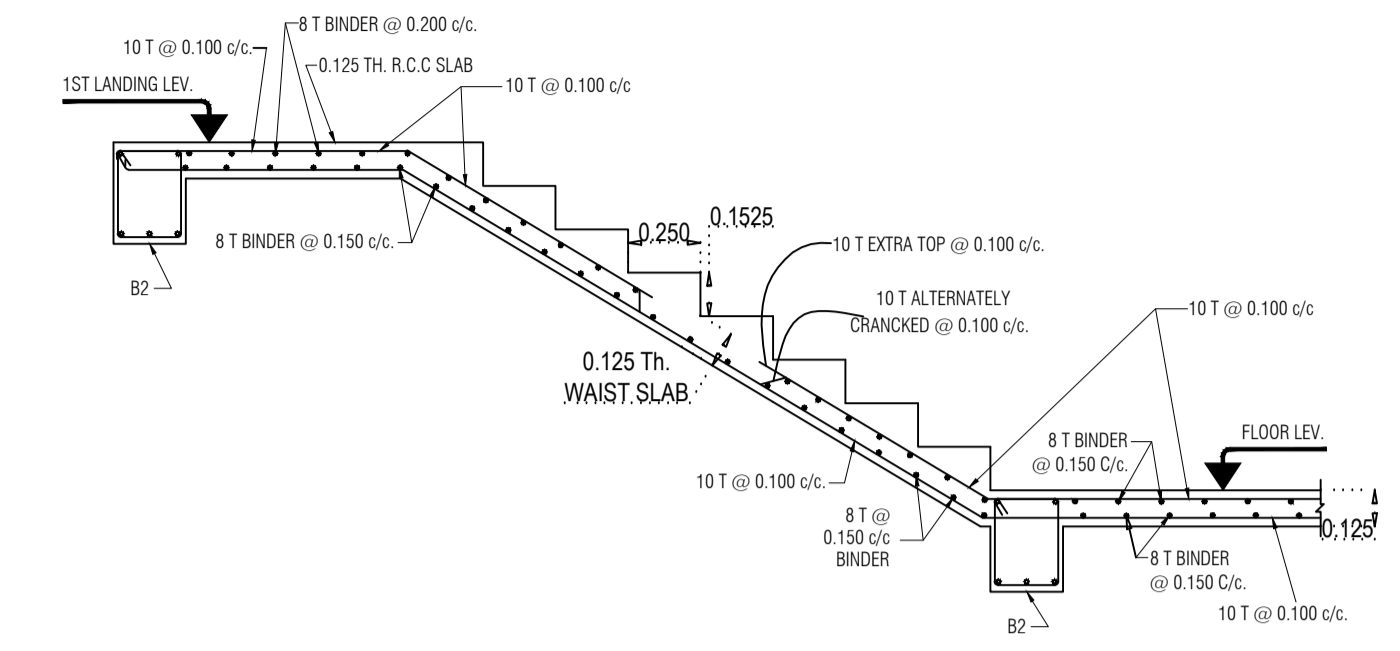


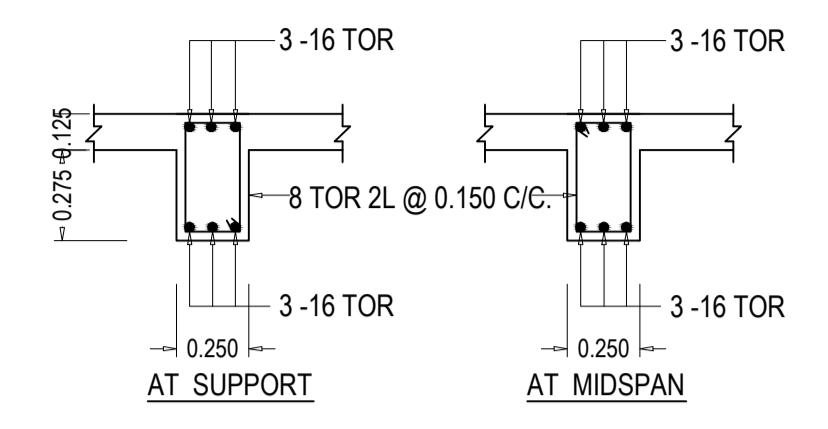
STRUCTURAL DESIGNED SHEET FOR STORED RESIDENTIAL BUILDING FOR
1) MR. UTTAM MONDAL, 2) MR. S. DAS, 3) MR. SUKUMAR MONDAL & MANOJ JAISWAL SITUATED AT MR. ARJUNPUR, IN R. S. DAG NO.- 149; L. R. DAG NO.- 187; R. S. KHATIAN NO.- 615; L. R. KHATIAN NOS.- 5994,5990, 6009 & 6007; J. L. NO.- 07; TOUZI NO.- 181; P. S.- BAGUIATI; DIST.- 24-PARGANAS (N); UNDER WARD NO.- 08 OF BIDHANNAGAR MUNICIPAL CORPORATION; HOLDING NO.- 43, BLOCK - NA.

SCHEDULE OF BEAM REINFORCEMENT:-

| BEAM MKD. | BEAM SIZE B X D | REINFORCEMENT | | | | STIRRUPS |
|-----------|-----------------|---------------|----------|------------|----------|-----------------------|
| | | AT SUPPORT | | AT MIDSPAN | | |
| | | TOP | BOTTOM | TOP | BOTTOM | |
| B1 | 0.250 X 0.450 | 5-16 TOR | 3-16 TOR | 3-16 TOR | 5-16 TOR | 8 TOR 2L @ 0.150 C/C. |
| B2 | 0.250 X 0.400 | 3-16 TOR | 3-16 TOR | 3-16 TOR | 3-16 TOR | 8 TOR 2L @ 0.150 C/C. |
| TB | 0.250 X 0.400 | 4-16 TOR | 4-16 TOR | 4-16 TOR | 4-16 TOR | 8 TOR 2L @ 0.150 C/C. |



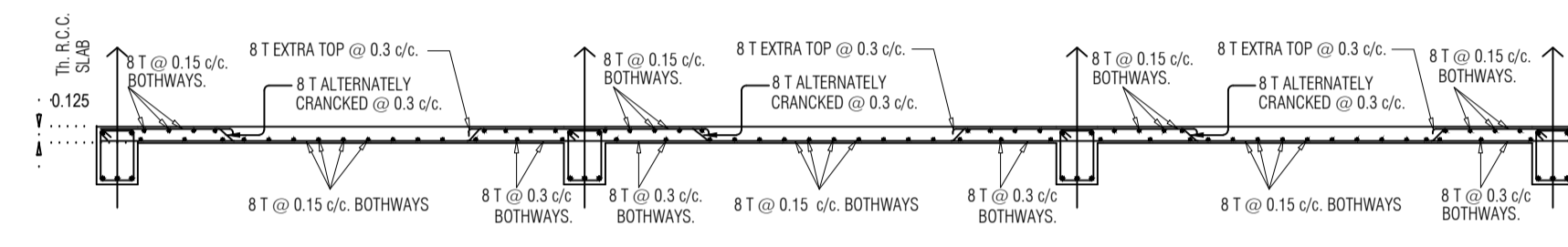
TYPICAL DETAILS OF STAIR CASE
SCALE = 4:1



DETS. OF BEAM SEC. (B2)
SCALE = 5:1

SCHEDULE OF SLAB REINFORCEMENT:-

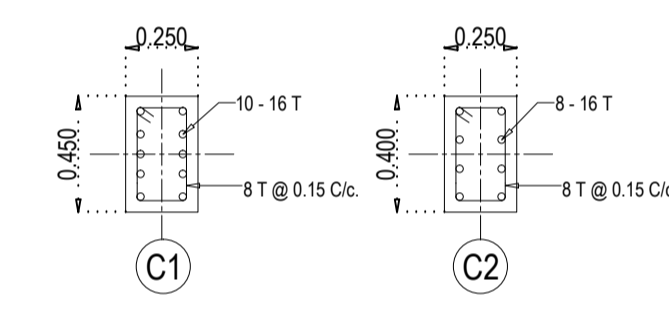
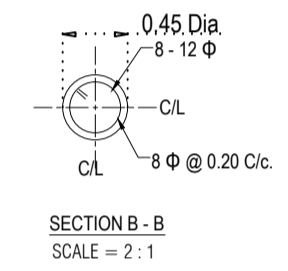
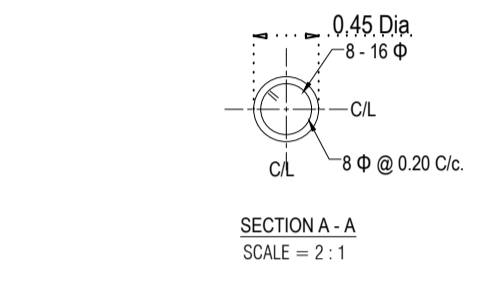
| SLAB MKD. | SLAB DEPTH | REINFORCEMENT | |
|------------|--------------|---------------------------|----------------------------|
| | | SHORTER DIRECTION | LONGER DIRECTION |
| S1 | 0.125 THICK. | 8 TOR @ 0.150 C/C. | 8 TOR @ 0.150 C/C. |
| S2 (STAIR) | 0.125 THICK. | 10 TOR @ 0.100 C/C.(MAIN) | 8 TOR @ 0.150 C/C.(BINDER) |



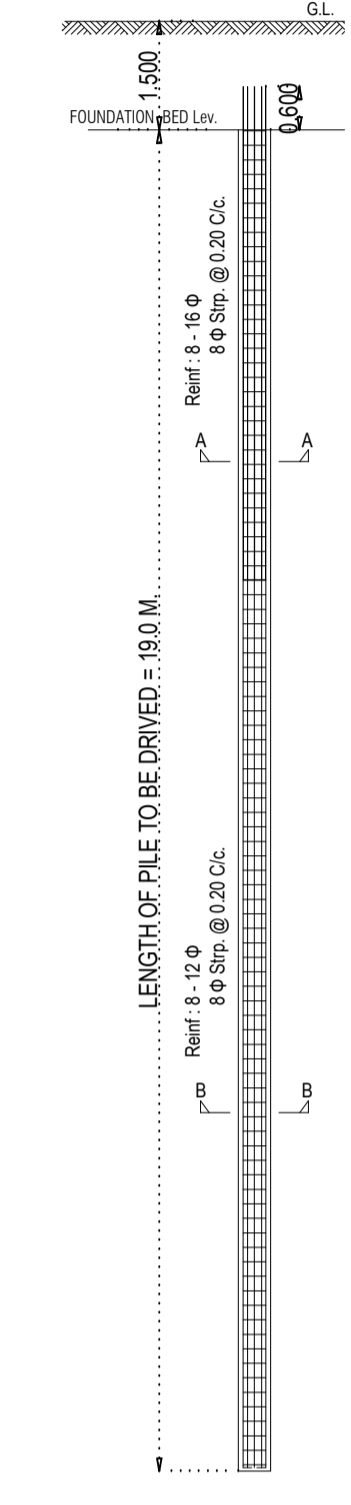
TYPICAL DETAILS OF R.C.C. SLAB
SCALE = 2:1

SCHEDULE OF COLUMN REINFORCEMENT:-

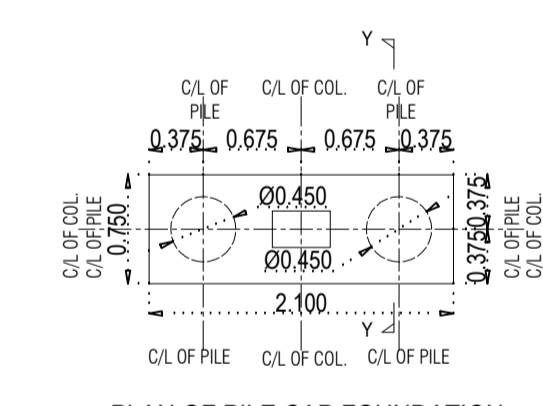
| COL. MKD. | COLUMN SIZE | REINFORCEMENT | STIRRUPS |
|-----------|---------------|---------------|-----------------------|
| C1 | 0.250 X 0.450 | 10-16 TOR | 8 TOR 2L @ 0.150 C/C. |
| C2 | 0.250 X 0.400 | 8-16 TOR | 8 TOR 2L @ 0.150 C/C. |



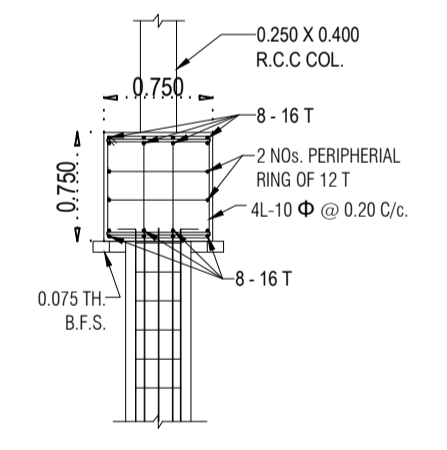
DETAILS OF R.C.C. COLUMNS
SCALE = 4:1



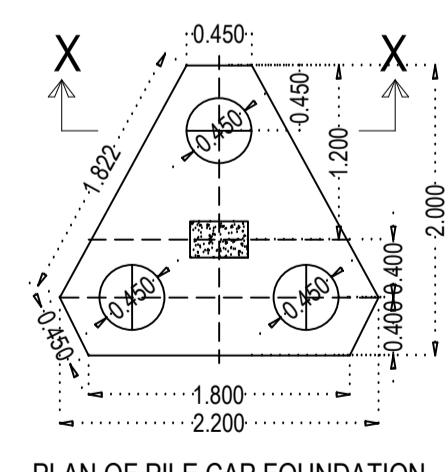
R.C.C. PILE DETAILS
SCALE = 1:1



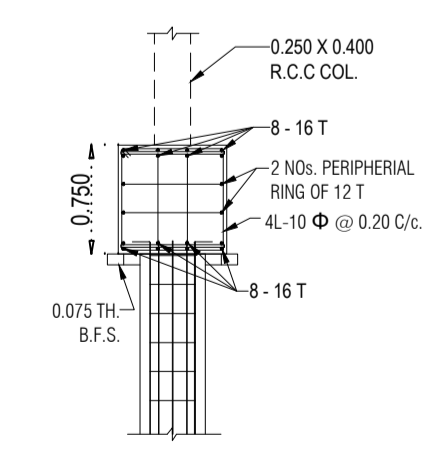
PLAN OF PILE CAP FOUNDATION (2 - PILE)
SCALE = 2:1



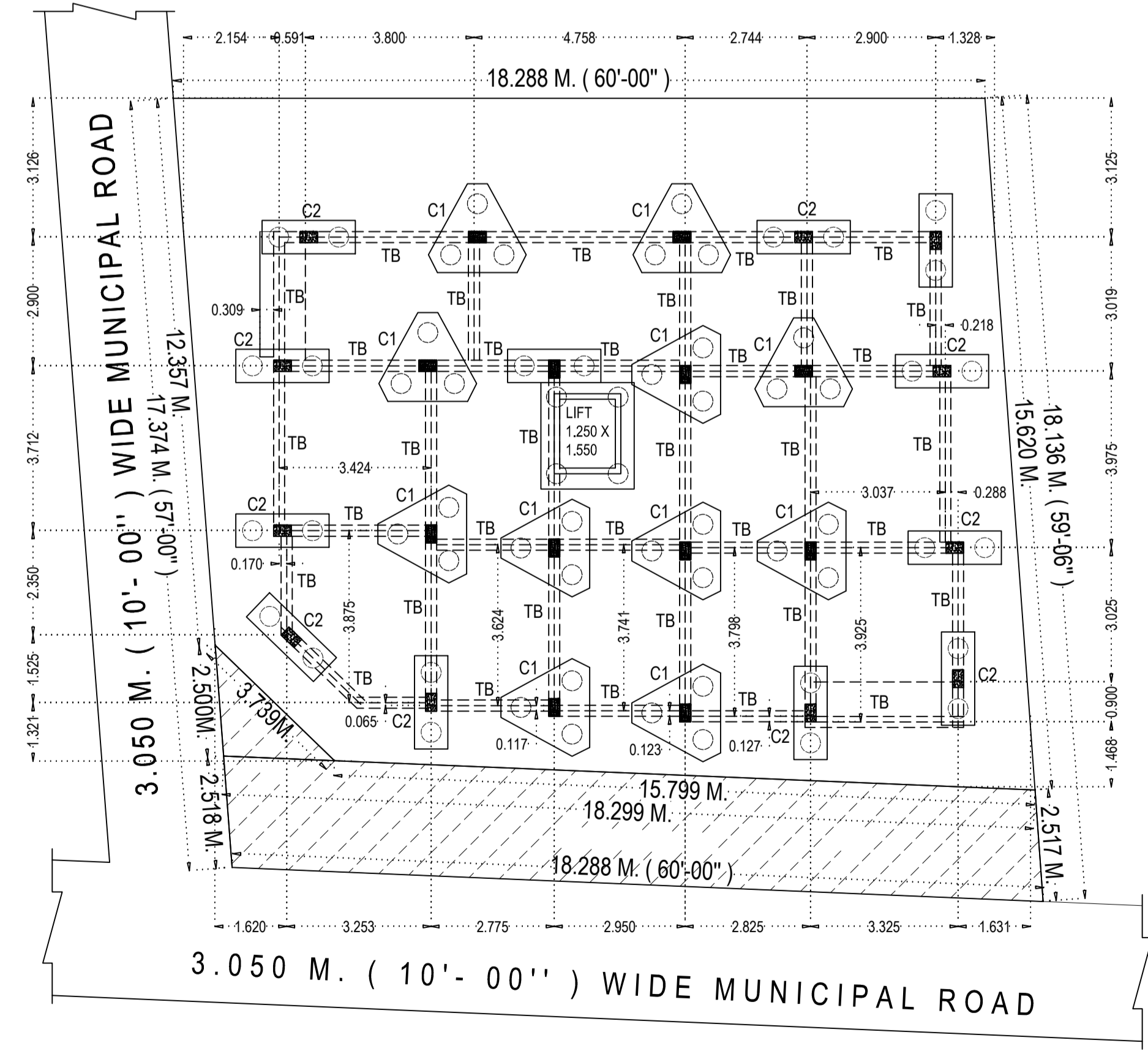
SECTION Y - Y
SCALE = 2:1



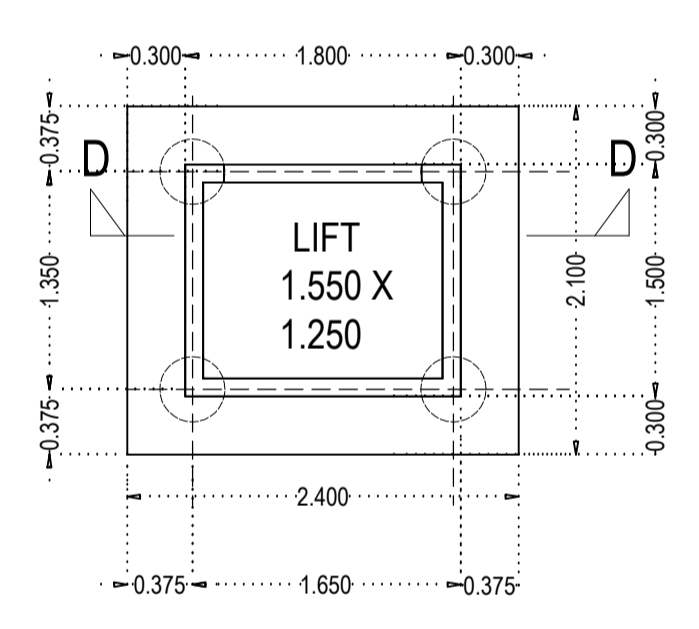
PLAN OF PILE CAP FOUNDATION (3 - PILE)
SCALE = 2:1



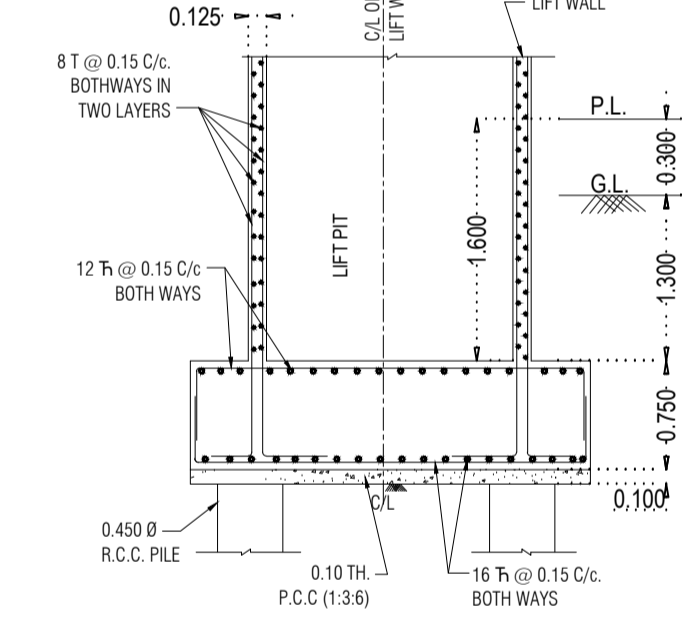
SECTION X - X
SCALE = 2:1



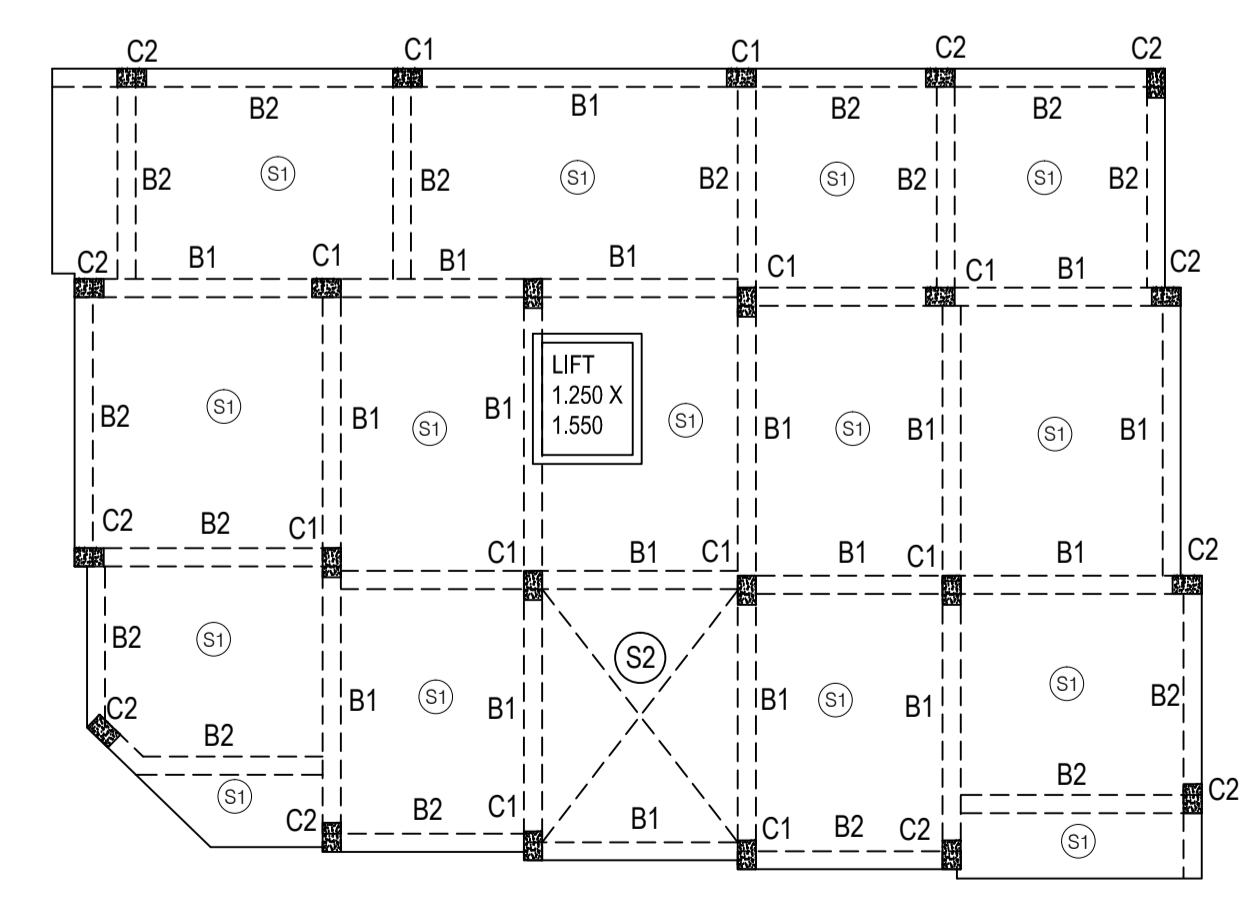
FOUNDATION LAYOUT PLAN
SCALE = 1:1



LIFT DETAILS
SCALE = 1:2



SECTION D - D
SCALE = 2:1



BEAM & SLAB PLAN (TYP. ROOF)
SCALE = 1:1

- NOTES :-**
- All Dimensions are in Meters Unless Specified.
 - Scale :- 1:1, 2:1, 4:1, 5:1.
 - Written Dimensions are to be followed.
 - The Drawing is to be read in conjunction with Architectural Drawing.
 - All Dimensions should be checked at site.
 - Clear cover to reinforcement shall be as follows:-
 In Columns & Pedestal : 40 mm
 In Beams : 25 mm
 In Slab : 20 mm
 In Footing : 50 mm
 In Tie Beams : 25 mm
 - Live load in floors considered 200 kg/sqm.
 - Extra top and bottom reinforcement:-
 Beam (i) Extra top (E.T.) to be provided at 0.25L from support.
 (ii) Extra bottom (E.B.) to be extended to 0.1L from end support & 0.15L from interior support.
 - See specification of materials & workmanship follow N.B.C. 2005 and IS: 456-2000.
 - Grade of concrete M - 25 AS Specified.
 - Grade of steel : H.Y.S.D. : Fe - 500.
 - P.C.C. should be of grade M-15.
 - Basis of Designed are both working stress & limit state method.

CERTIFICATE OF ENGINEER / L.B.S.:-

CERTIFIED THAT THE FOUNDATION AND SUPERSTRUCTURE OF THE BUILDING HAS BEEN SO DESIGNED BY ME/US WILL MAKE SUCH THOSE SAFE IN ALL RESPECT INCLUDING THE CONSIDERATION OF BEARING CAPACITY AND SETTLEMENT OF SOIL, ETC.

I HAVE PERSONALLY VERIFIED THAT THE LAND AND FOUND IT IS NOT A TANK OR FILLEDUP TANK. IT IS SUITABLE FOR BUILDING CONSTRUCTION.

:- SIGNATURE OF GEO-TECHNICAL ENGINEER :-

:- SIGNATURE OF STRUCTURAL ENGINEER :-

CERTIFICATE OF OWNER :-

CERTIFIED THAT I HAVE GONE THROUGH THE BUILDING RULES FOR BIDHANNAGAR MUNICIPAL CORPORATION AND ALSO UNDERTAKE TO ABIDE THOSE RULES DURING AND AFTER CONSTRUCTION OF THE BUILDING.

:- SIGNATURE OF OWNERS :-